

Head Office

Vibco, Inc.

75 Stilson Road
Wyomomg, RI 02898
TEL. 800-633-0032
FAX. 401-539-2584

We're The ^{SILENT} Vibrator Guys.™



WWW.VIBCO.COM

Canadian Branch

Vibco Canada

2215 Dunwin Drive
Mississauga, Ontario L5L1X1
TEL. 905-828-4191
FAX. 905-828-5015

Operators Manual

Model TP-10 High Compaction Dirt Plate Compactor

Engine Specs

Standard

Honda GX-100
4-stroke, overhead camshaft
single cylinder
Forced air cooled
3.0 Horsepower / 2.2 Kilowatts
3500 RPM
Rewind starter
Low oil alert system
Transistorized magneto ignition

Specifications

<u>Specification</u>	<u>English</u>	<u>Metric</u>
Weight	95 lbs	43 kg
Centrifugal Force	1500 lbs	6675 N
Specific Centrifugal Force	10 psi	
Vibration Frequency	5400 VPM	
Contact Dimensions	12" x 13.5"	30.5 cm x 34 cm

Introduction

Vibco, Inc. reserves the right to change and improve any parts or specifications without notice, and without incurring any obligation relating to such change. Vibco plate type compactors are used for compacting loose layers of soil or asphalt into load bearing surfaces. The vibration aligns the particles in the material being compacted in order to achieve maximum density, thus eliminating hollow spaces or cavities. They are successfully used for sandy, granular and partially cohesive materials, as well as for asphalt finishing. The main Components of the compactors are; the base plate, vibratory element, engine plate, steering handle and a water tank on asphalt models. The vibrational force and forward motion of these machines is induced by rotation of an eccentrically weighted shaft. The water tank on asphalt models wets the plate and pavement surfaces appropriately to avoid the adhesion, which can occur with the asphalt surface.

Serial Number Location

Engine

When ordering replacement parts from the engine distributor, state the model, specification and serial number. Model and spec. numbers for both engines are located on the flywheel cover. Honda serial numbers are found on the front of the crankcase housing and the Robin serial numbers are located on the base of the engine.

Compactor

The Vibco model and serial numbers are mounted on the front of the engine plate. Furnish both numbers when corresponding with your authorized dealer.

Maintenance

Keep your machine clean!

Every 10 hours or daily

1. Periodically check bolts and nuts for tightness, especially in the period following initial operation.
2. Check engine oil daily.
3. Clear air filter periodically
4. Check and tighten element clamp screws with a torque wrench for 38-40 ft-lbs.

Every 50 hours or weekly

1. Check belt tension.
2. Change engine oil.
3. Check and tighten all nuts and bolts.
4. If water flow through the sprinkler pipe on asphalt units fails, clear pipe using carburetor cleaner.
5. Check vibrator element seal for leaks.

Operating Notes

- ◆ Before starting the machine, READ the engine-operating manual CAREFULLY.
- ◆ Remember to check the engine oil.
- ◆ Make sure the belt guard is securely bolted in place.
- ◆ The vibratory element is filled with 2 fluid ounces of SAE 90 EP gear lubricant, and is sealed at the factory. Note! Do not overfill the element if servicing, this can damage the unit extensively and may void the warranty.
- ◆ Unlock the handle by removing the pin and lowering the handle into position. Start the machine.
- ◆ After warm up, move the control lever to full throttle position. The motor should run at 3250 RPM maximum. The clutch will automatically engage at approximately 1850 RPM, and vibration will begin. The unit will now begin to pull itself forward.
- ◆ Let compactor move on its own power, and guide it by the handle. Uneven or sloping terrain may cause the machine to slide sideways. The operator must then steer toward the rise thus causing the compactor to travel at an angle.
- ◆ Do not add fuel while the engine is running. Stop the engine, and if possible, allow a cooling period to prevent spilled fuel from igniting on contact with hot engine parts.
- ◆ ***Before*** making any adjustments, disconnect the spark plug cable to prevent unintentional starting.
- ◆ Make sure that the belt guard is securely bolted in place.
- ◆ REMEMBER a careful operator is always the best insurance against accidents.



If you have any questions or comments feel free to call technical support at:

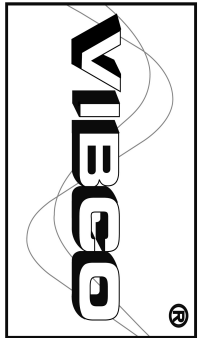
1-800-633-0032

Or e-mail us at:

Vibrators@Vibco.Com

Vibco, Inc. reserves the right to change and improve any parts or specifications without notice, and without incurring any obligation relating to such change.

SILENT
We're The Vibrator Guys.®



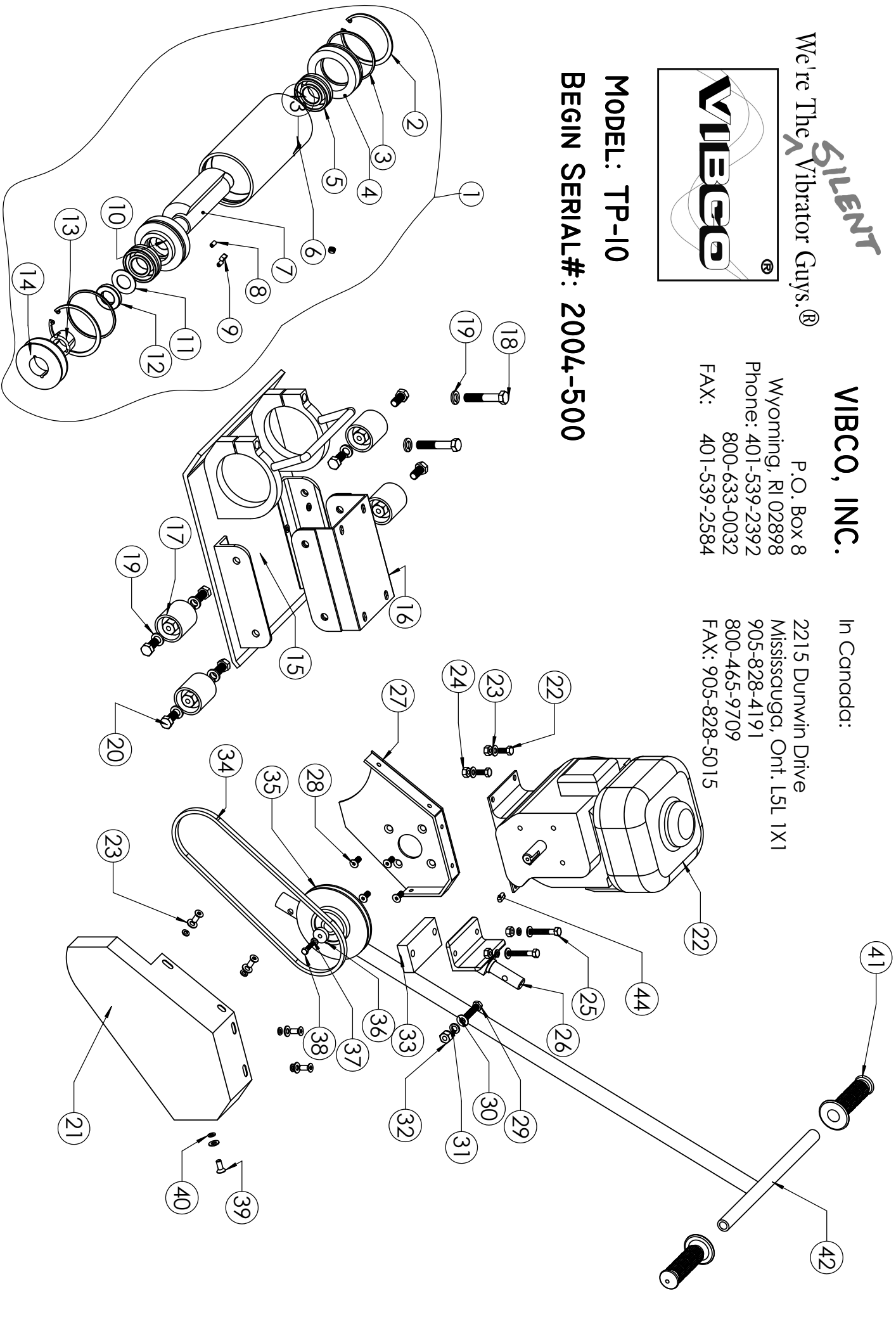
VIBCO, INC.

P.O. Box 8
Wyoming, RI 02898
Phone: 401-539-2392
800-633-0032
FAX: 401-539-2584

In Canada:

2215 Dunwin Drive
Mississauga, Ont. L5L 1X1
905-828-4191
800-465-9709
FAX: 905-828-5015

MODEL: TP-10
BEGIN SERIAL#: 2004-500



Model: TP-10

Item	Part		Number
Number	Description	Part Number	Required
1	Element Assembly	10TP008	1
2	Retaining Ring	201022	2
3	O-Ring	122026	2
4	Closed Bearing Housing	122021	1
5	Spherical Bearing	201023	2
6	Element Housing	122024-1	1
7	Eccentric Shaft	122019-4	1
8	Set Screw	1/4-20X1/2SS	2
9	Sheave Key	201017	1
10	Open Bearing Housing	122020	1
11	Oil Shield	201143	1
12	Oil Seal	201025	1
13	Sheave Bushing	201016	1
14	Sheave	201015-2	1
15	Baseplate Weld	10TP002	1
16	Engine Plate	10TP009	1
17	Shock Absorber	201028	4
18	1/2"-13 Grade 5 Hex Heads	1/2-20x3/4HH	2
19	Lockwasher	1/2LW	10
20	Screw, Hex Head	1/2-13x3/4HH	8
21	Outer Belt Guard	10TP014	1
22	Honda Engine	GX-100	1
23	Flat Washer, SAE	5/16FW	9
24	Hex Nut	5/16-18HN	4
25	Hex Head Cap Screw	5/16-18x2HHG5	2
26	Hand Reciever Weld	10TP018	1
27	Inner Belt Guard Weld	10TP013	1
28	Flat Head Socket Screw	M8-1.25x16FHS	4
29	Hex Head Screw	3/8-16x1-3/4HH	1
30	Grade 8 Flat Washer	3/8FWG8	2
31	Heavy Lockwasher	3/8LW	1
32	Nylon Lock Nut	3/8-16LN	1
33	Handle Isolator	10TP015	1
34	Powertwist Belt	A/4L	1
35	Clutch (5/8" Bore)	16GR53	1
36	Fender Washer	1/4X1FNDRW	1
37	Lockwasher	1/4LW	1
38	Grade 8 Hex Head Screw	1/4-28x3/4HHG8	1
39	Hex Head Bolt	M8-1.25x16HH	5
40	Heavy Lockwasher	5/16LW	9
41	7/8ID Grip	18VR053	2
42	Handle Weld	10TP021	1
43	Solid Pipe Plug	1/8NPT	2
44	Clutch Key	3/16 X 1-1/2	1